



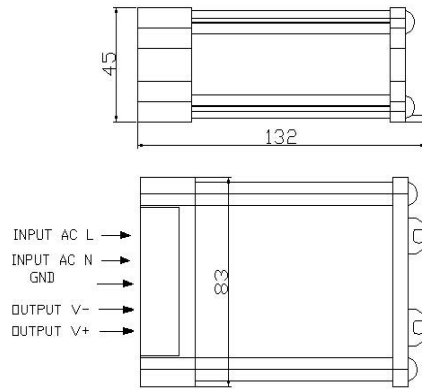
**FEATURES**

- 100% full load burn-in test
- Universal AC input
- Small size and high efficiency
- Conform to EMC EN5502 GB9254
- Built-in EMI filter with tiny ripple
- Comply with the safety standards UL60950 GB4943 EN60850
- Protection: short circuit/over Voltage/over/load temperature

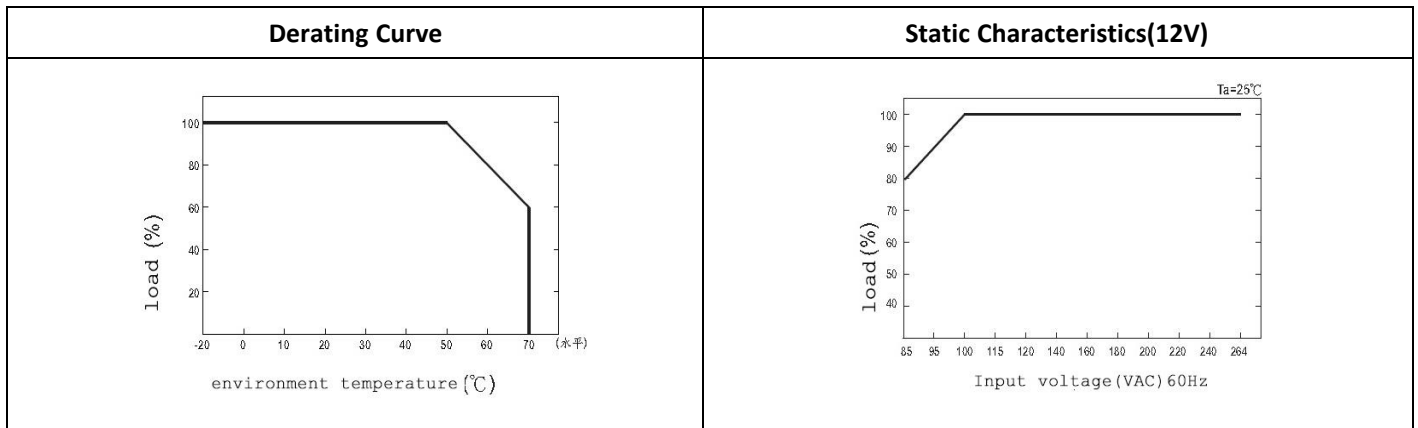
MODEL		5V 60W	12V 60W	15V 60W	24V 60W
OUTPUT	DC VOLTAGE	5V	12V	15V	24V
	RATED CURRENT	12A	5A	4A	2.5A
	CURRENT RANGE	0~12A	0~5A	0~4A	0~2.5A
	RATED POWER	60W	60W	60W	60W
	RIPPLE& NOISE (MAX.)	80mV	100mV	100mV	150mV
	VOLTAGE TOLERANCE	±1%	±1%	±1%	±1%
	SETUP , RISE TIME	500ms,30ms / 230VAC 1200ms / 115VAC at full load			
	HOLD UP TIME(Typ.)	50ms / 230VAC 10ms / 115VAC at full load			
INPUT	VOLTAGE RANGE	85 ~ 264VAC			
	FREQUENCY RANGE	47~63Hz			
	POWER FACTOR(Typ.)	PF>0.6/220VAC			
	EFFICIENCY(Typ.)	80%	85%	85%	86%
	AC CURRENT(Typ.)	1.5A/115V 0.9A/230V			
	INRUSH CURRENT(Typ.)	cold start 45A/230V			
	SHORT CIRCUIT	protection type: recovers automatically after fault condition is removed			
PROTECTION	OVER LOAD	105~135% hiccup mode, auto-recovery			
	DC ADJ. RANGE	±10% rated output voltage			
ENVIRONMENT	WORKING TEMP	-40°C~+60°C (no frost)			
	WORKING HUMIDITY	20%~90%RH			
	STORAGE TEMP , HUMIDITY	-40°C~85°C/10%~95%RH			
SAFETY&EMC	SAFETY STANDARDS	CE ROHS			
	WITHSTAND VOLTAGE	I/P-O/P: 1.5KVAC/1min, I/P-F/G: 1.5KVAC/1min, O/P-F/G: 0.5KVAC/1min			
	EMC TESTING STANDARD	EN55015:2006; EN61547:1995+A1:2000;EN61000 -3-2:2006 EN61000-3-3:1995+A2:2005;EN61347 -3-13:2006			

**Mechanical Specification**

Terminal Assignment			
Pin No.	Assignment	Pin No.	Assignment
1	AC/L	4	DC OUTPUT-V
2	AC/N	5	DC OUTPUT+V
3	FG		
Dimension: 111*82*44 mm		Carton size: 430*278*227 mm	
Carton Quantity: 105PCS/Carton		Weight: 0.28kg/PCS	



Product model: FXX60W



**REMARKS:**

- 1, The above mentioned data were measured at 230VAC input and 25°C.
- 2, Ripple & noise are measured at 20MHz of bandwidth by using a 12" twisted pair-wire terminated with a 0.1uf & 47uf parallel capacitor.
- 3, Cut the AC input before checking any mal-phenomenons.
- 4, Make sure the INPUT&OUPUT were in right situation before connected to power supply.
- 5, Be ware of high power pressure may caused by short circuit when installing metal casing products.
- 6, Please contact us at ena@smpspower.com for further solution if any unforeable problem happens.